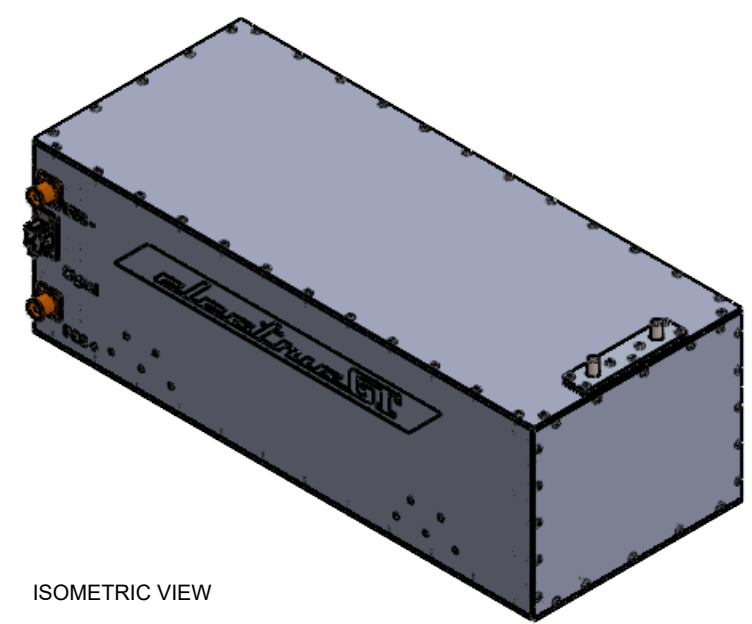
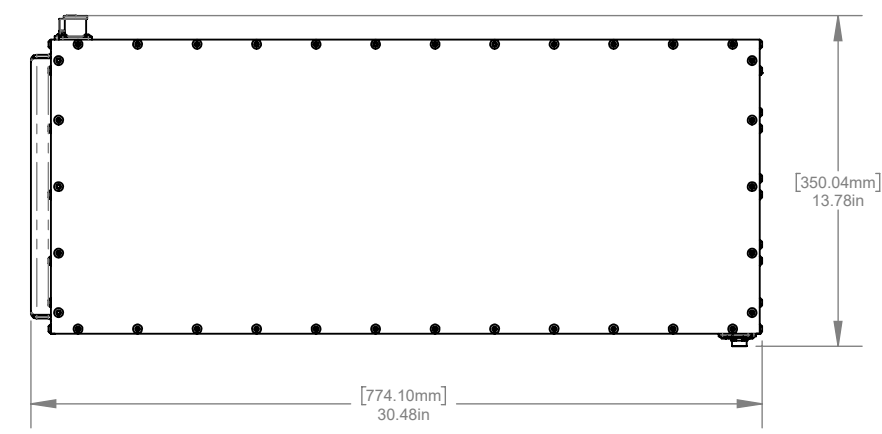
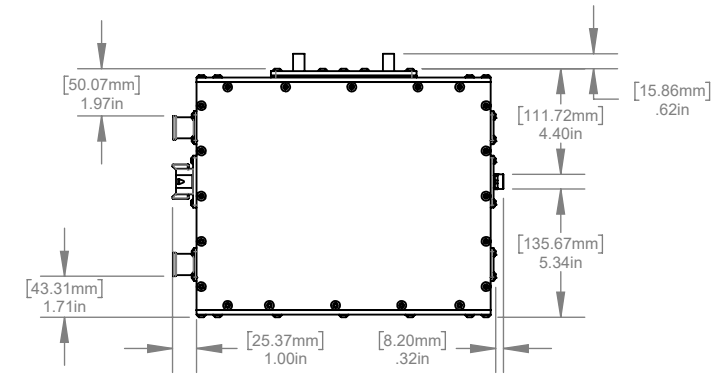
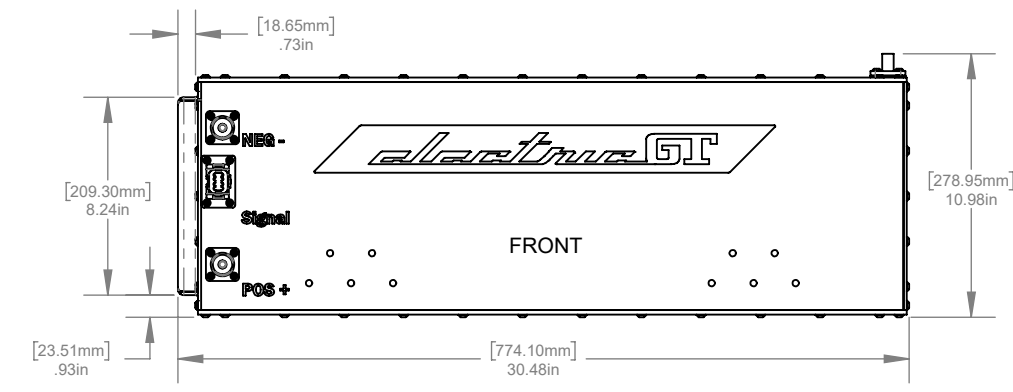
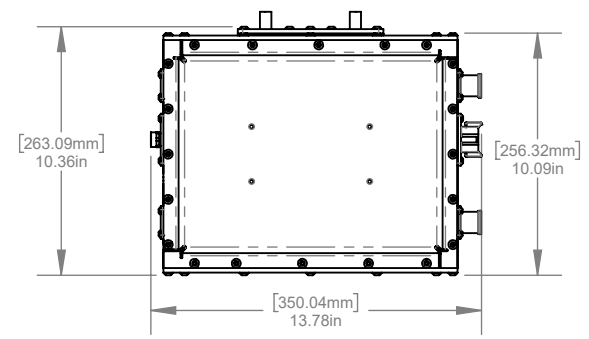
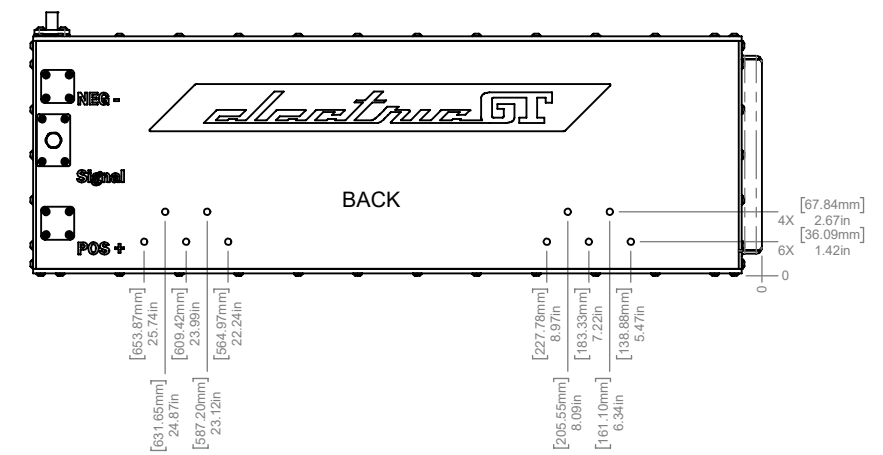
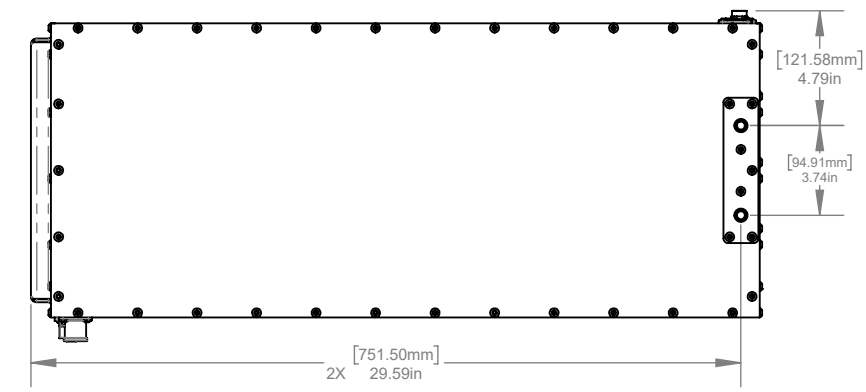


NOTES:

- 1. DRAWING DEPICTING THE SYSTEMS GENERAL DIMENSIONS.
- 2. MIND CLEARANCE FOR CABLES AND TOOL ACCESS WHEN MOUNTING.

REVISION HISTORY			
REV	DESCRIPTION	DATE	APPROVED
1	PRODUCTION RELEASE		B. WINBERG
2	REVISION 2		
3	REVISION 3		
4	DIFFERENT BMS AND END PLATE DESIGN	2/9/2022	D. GODOY



ISOMETRIC VIEW

UNLESS OTHERWISE SPECIFIED DIMENSIONS ARE IN INCHES.  
TOLERANCES ARE:

DECIMALS	ANGLES	SURFACE FINISH
.X ± .1	± .5°	√ 125
.XX ± .03		
.XXX ± .010		

PROPRIETARY AND CONFIDENTIAL

THE INFORMATION CONTAINED IN THIS DRAWING IS THE SOLE PROPERTY OF ELECTRIC GT. ANY REPRODUCTION IN PART OR AS A WHOLE WITHOUT THE WRITTEN PERMISSION OF ELECTRIC GT IS PROHIBITED.

15841 GRAHAM ST  
HUNTINGTON BEACH, CA 92649

PREPARED BY: EDUARDO RUBIO  
DATE: 3/21/2022

ENGINEER: PETER DOWNWARD  
DATE: 7/2/2021

DIMENSIONING AND TOLERANCING PER ASME Y14.5M  
APPLY AFTER PROCESSING.

THIRD ANGLE PROJECTION

EGT TESLA  
3 MODULE DIY BOX V2

SIZE DWG NO: B EGT-1098-A  
SCALE: 1:8 DO NOT SCALE DRAWING

REV: 4  
SHEET 1 OF 1