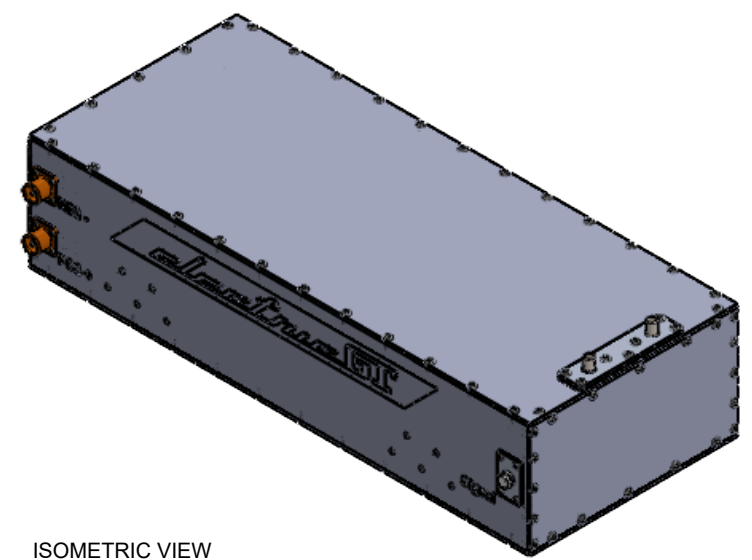
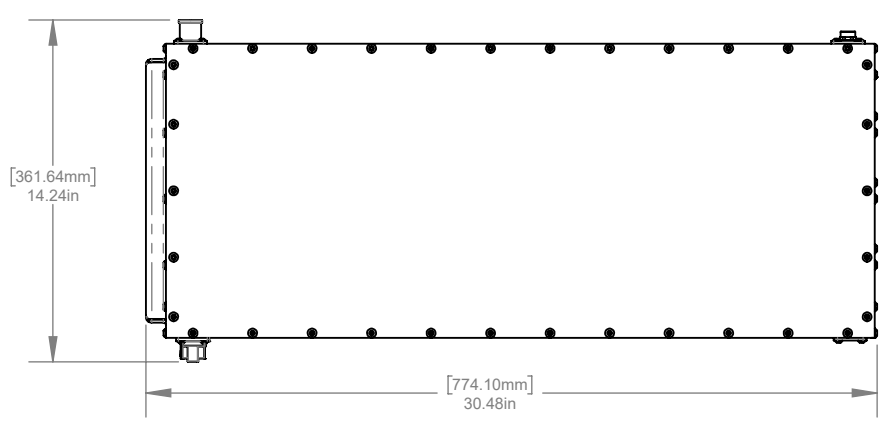
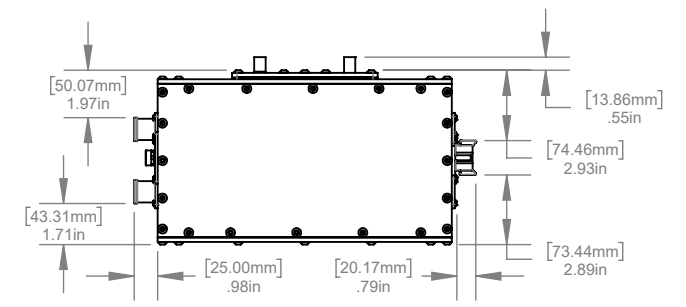
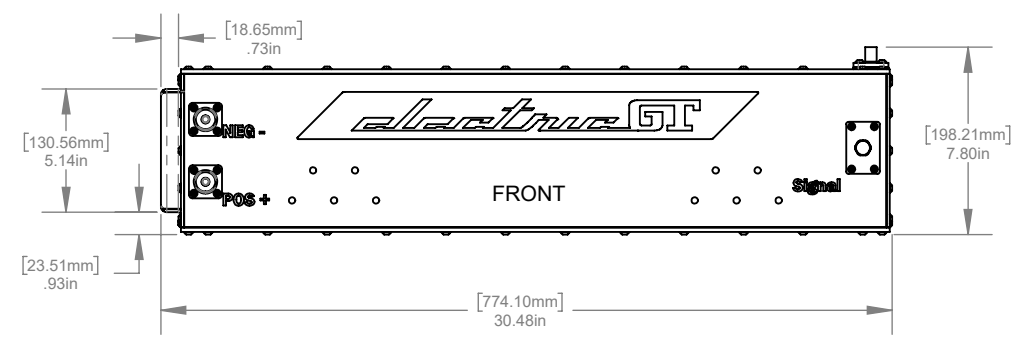
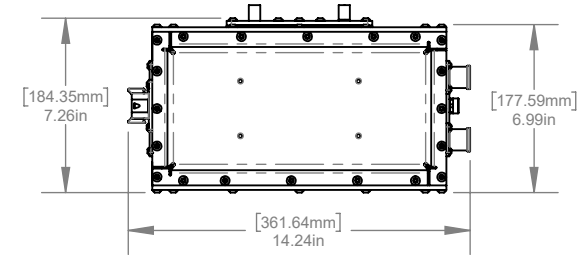
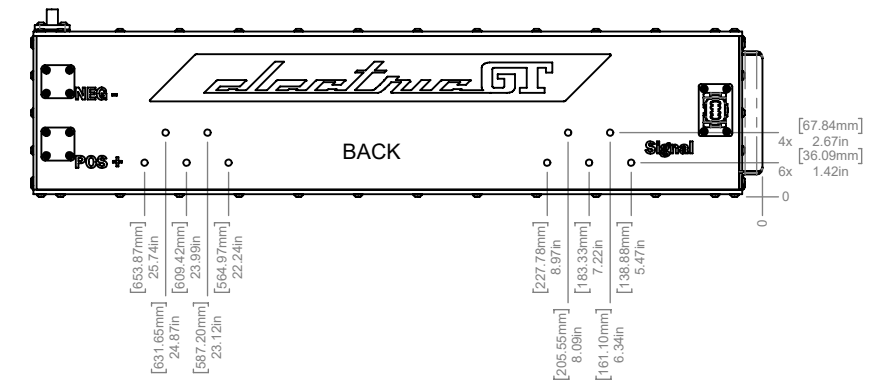
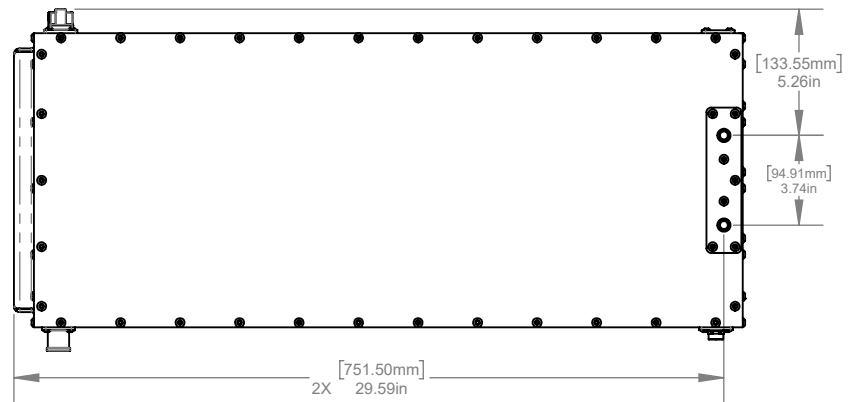


NOTES:

1. DRAWING DEPICTING THE SYSTEMS GENERAL DIMENSIONS.
2. MIND CLEARANCE FOR CABLES AND TOOL ACCESS WHEN MOUNTING.

REVISION HISTORY			
REV	DESCRIPTION	DATE	APPROVED
1	PRODUCTION RELEASE		B. WINBERG
2	REVISION 2		
3	REVISION 3		
4	DIFFERENT BMS AND END PLATE DESIGN	2/9/2022	D. GODOY



ISOMETRIC VIEW

UNLESS OTHERWISE SPECIFIED DIMENSIONS ARE IN INCHES.
TOLERANCES ARE:

DECIMALS	ANGLES	SURFACE FINISH
.X ± .1	±.5°	√ 125
.XX ± .03		
.XXX ± .010		

PROPRIETARY AND CONFIDENTIAL

THE INFORMATION CONTAINED IN THIS DRAWING IS THE SOLE PROPERTY OF ELECTRIC GT. ANY REPRODUCTION IN PART OR AS A WHOLE WITHOUT THE WRITTEN PERMISSION OF ELECTRIC GT IS PROHIBITED.

15841 GRAHAM ST
HUNTINGTON BEACH, CA 92649

PREPARED BY: EDUARDO RUBIO
DATE: 3/21/2022

ENGINEER: PETER DOWNWARD
DATE: 7/2/2021

DIMENSIONING AND TOLERANCING PER ASME Y14.5M
APPLY AFTER PROCESSING.

THIRD ANGLE PROJECTION

TITLE: EGT TESLA 2 MODULE DIY BOX V2

SIZE: B
DWG NO: EGT-1120-A
SCALE: 1:8
DO NOT SCALE DRAWING

REV: 4
SHEET 1 OF 1