

4

3

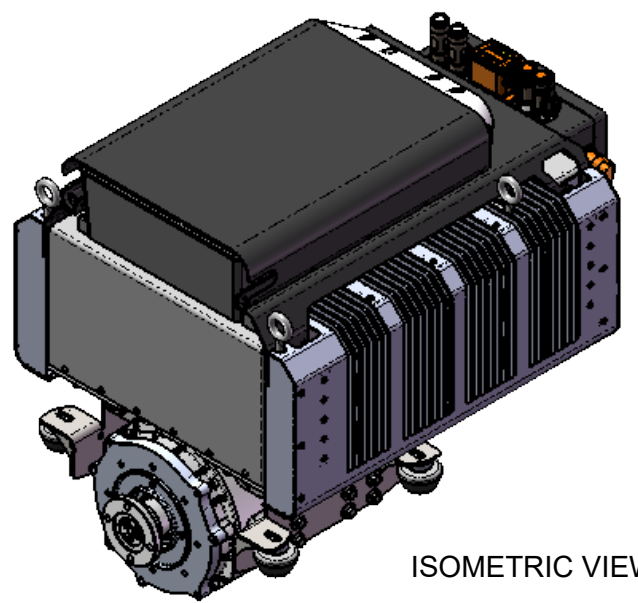
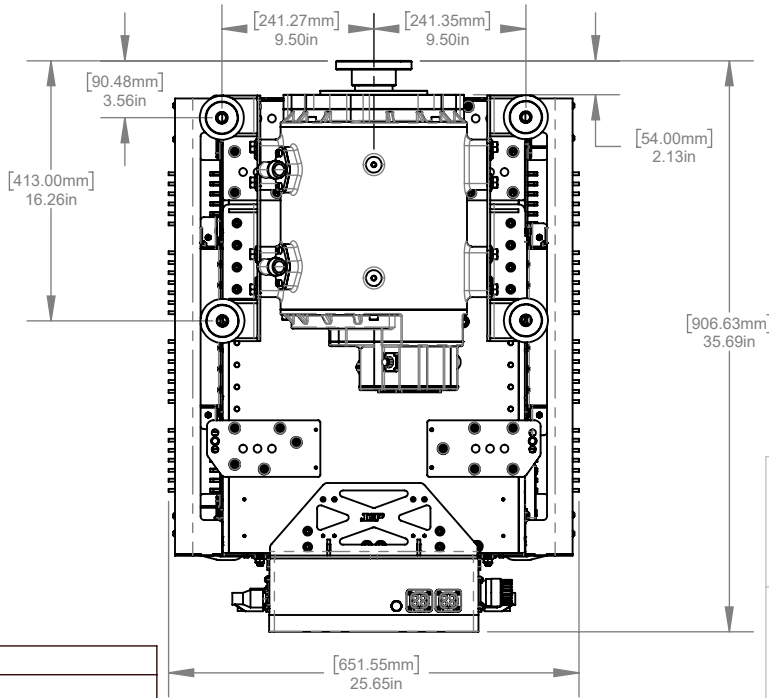
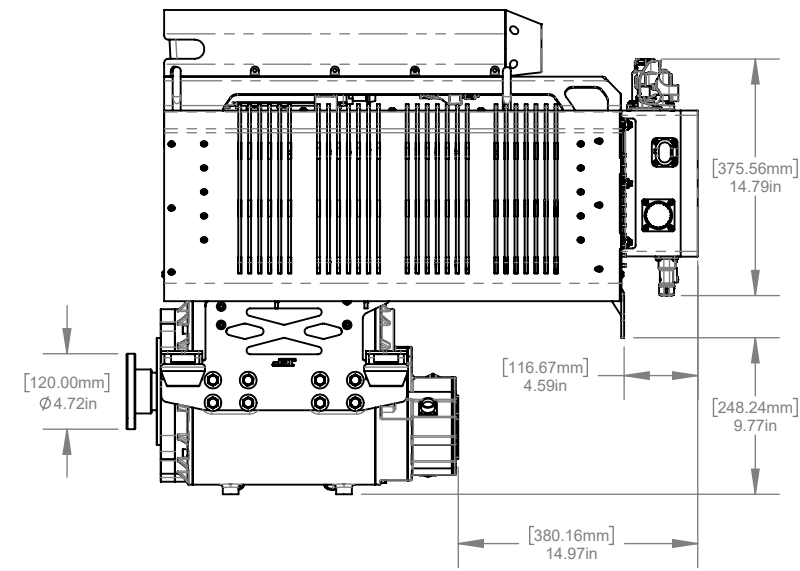
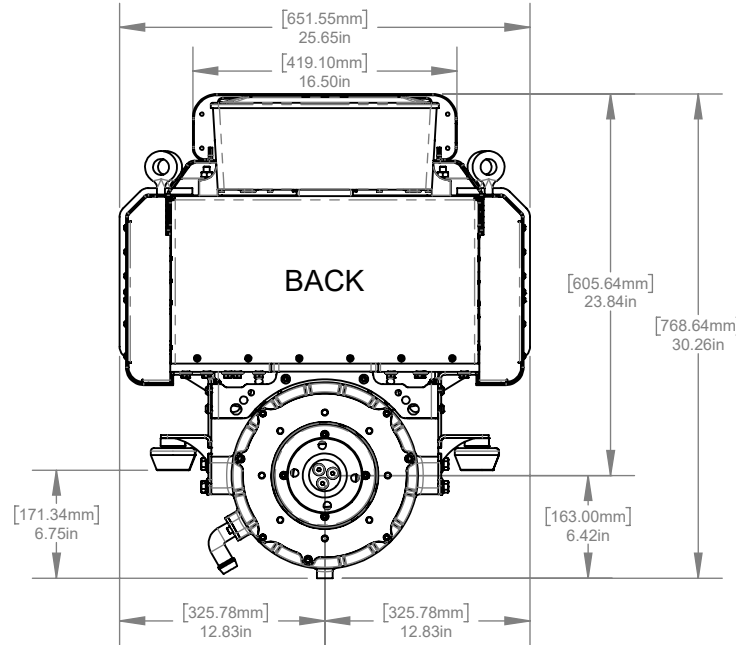
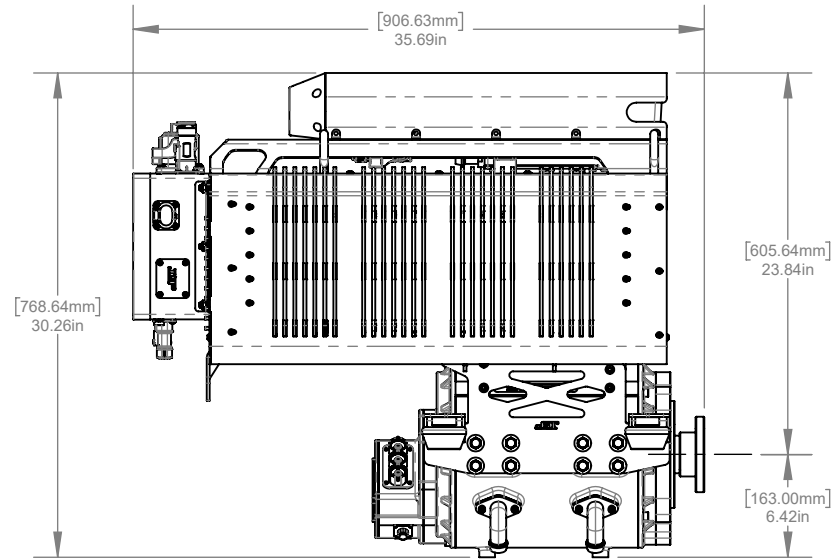
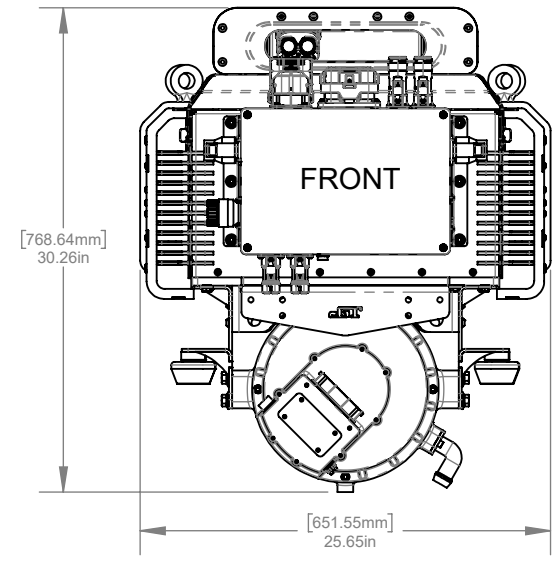
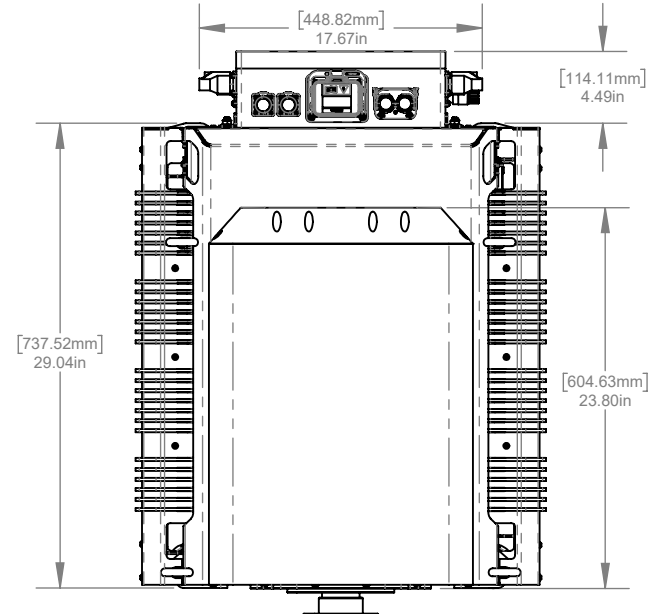
2

1

NOTES:

1. DRAWING DEPICTING THE SYSTEM'S GENERAL DIMENSIONS.

REVISION HISTORY			
REV	DESCRIPTION	DATE	APPROVED
1	PRODUCTION RELEASE		B. WINBERG



ISOMETRIC VIEW

UNLESS OTHERWISE SPECIFIED DIMENSIONS ARE IN INCHES.
TOLERANCES ARE:

DECIMALS	ANGLES	SURFACE FINISH
.X ±.1	±.5°	√125
.XX ±.03		
.XXX ±.010		

PROPRIETARY AND CONFIDENTIAL

THE INFORMATION CONTAINED IN THIS DRAWING IS THE SOLE PROPERTY OF ELECTRIC GT. ANY REPRODUCTION IN PART OR AS A WHOLE WITHOUT THE WRITTEN PERMISSION OF ELECTRIC GT IS PROHIBITED.

15841 GRAHAM ST
HUNTINGTON BEACH, CA 92649

PREPARED BY: EDUARDO RUBIO
DATE: 1/17/2022

ENGINEER: DIEGO GODOY
DATE: 1/14/2022

DIMENSIONING AND TOLERANCING PER ASME Y14.5M
APPLY AFTER PROCESSING.

THIRD ANGLE PROJECTION

TITLE: 413 SYSTEM MAIN ASSEMBLY WITH SKINS

SIZE: B DWG NO: EGT-1296-A REV: 1

SCALE: 1:12 DO NOT SCALE DRAWING SHEET 1 OF 1

ITEM #	QTY	MATERIAL DESCRIPTION	NOTES
1	1		

4

3

2

1