

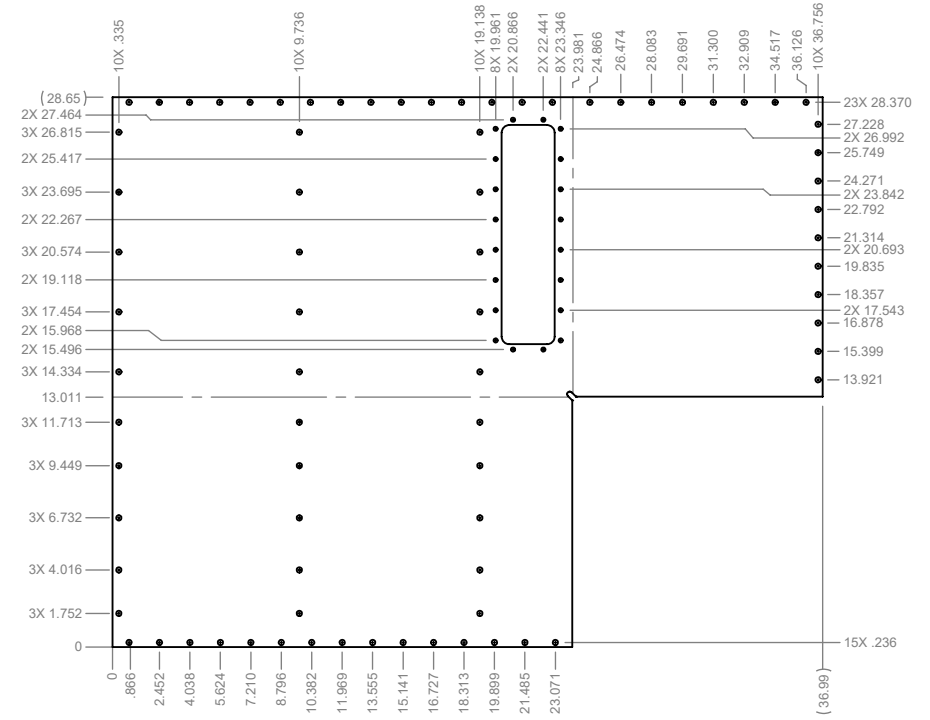
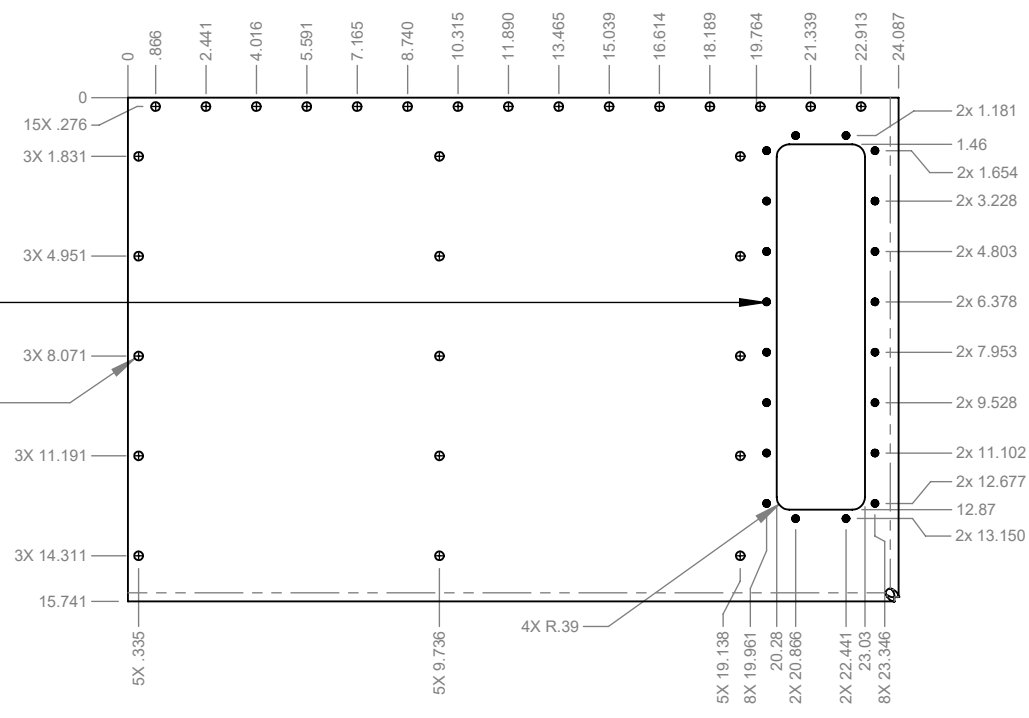
NOTES:

1. REMOVE ALL BURRS AND SHARP EDGES. SEE CAD FILE FOR FURTHER DETAILS.
2. FINISH: NONE.
3. FINISH: NONE.
4. INSTALL PER MANUFACTURE SPECIFICATION.

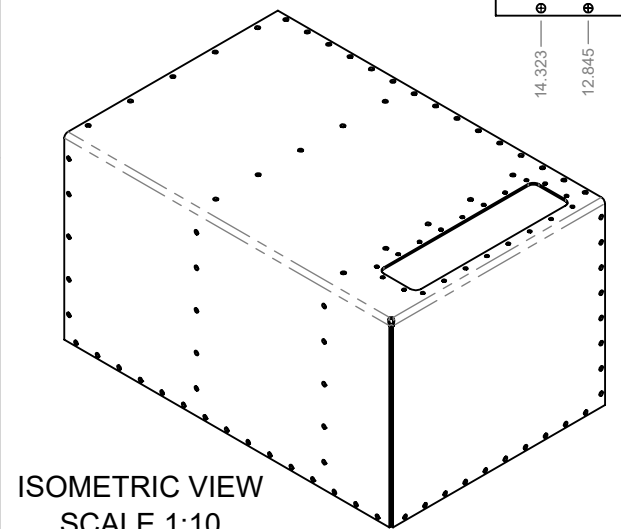
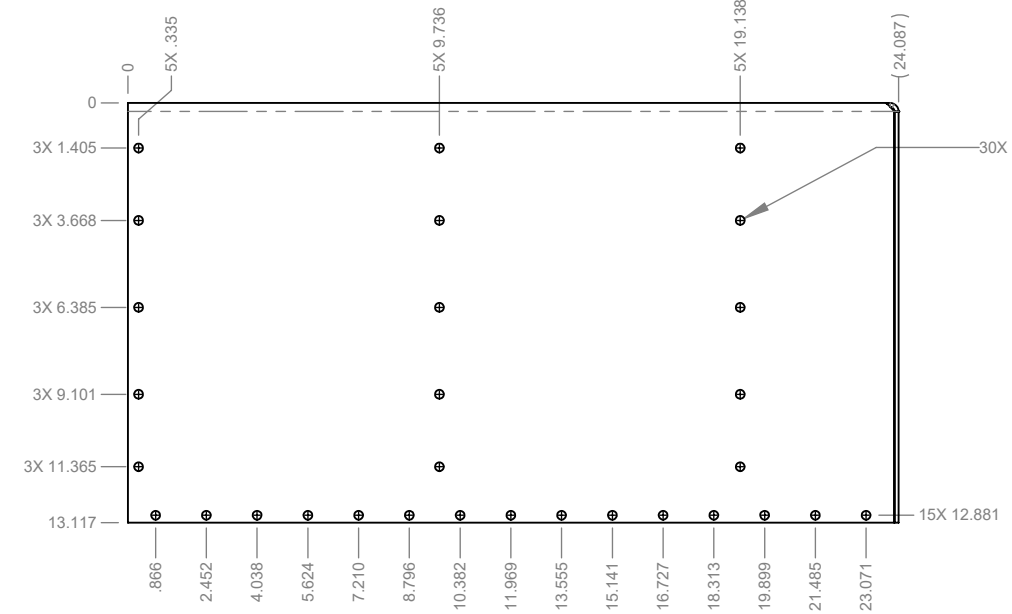
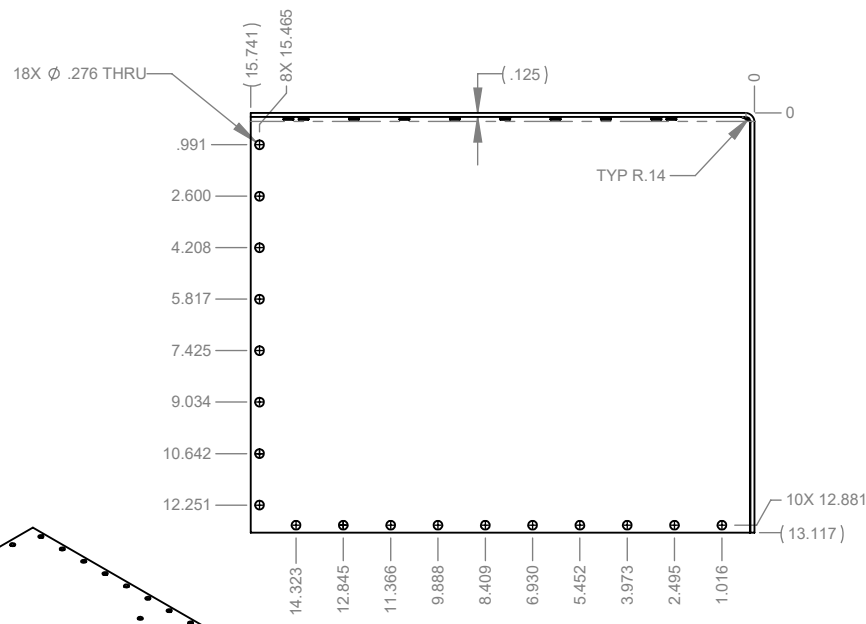
REVISION HISTORY			
REV	DESCRIPTION	DATE	APPROVED
1	PRODUCTION RELEASE	10/14/2020	B. WINBERG
2	REVISION 2	4/28/2021	B. WINBERG

4
ITEM 2
INSTALL FROM FAR SIDE
20 PL

30X Ø .276 THRU



FLAT PATTERN
SHOWN AS REFERENCE ONLY
SCALE 1:10



ISOMETRIC VIEW
SCALE 1:10

ITEM #	QTY	MATERIAL DESCRIPTION	NOTES
1	1	ALUMINUM 5052-H32, .125" THK (3.175MM)	
2	20	PRESS-FIT NUT, M4 X 0.7	MCMMASTER-CARR 95185A610 OR EQUIV

UNLESS OTHERWISE SPECIFIED DIMENSIONS ARE IN INCHES.
TOLERANCES ARE:

DECIMALS	ANGLES	SURFACE FINISH
.X ± .1	±.5°	√ 125
.XX ± .03		
.XXX ± .010		

PROPRIETARY AND CONFIDENTIAL

THE INFORMATION CONTAINED IN THIS DRAWING IS THE SOLE PROPERTY OF ELECTRIC GT. ANY REPRODUCTION IN PART OR AS A WHOLE WITHOUT THE WRITTEN PERMISSION OF ELECTRIC GT IS PROHIBITED.

15841 GRAHAM ST
HUNTINGTON BEACH, CA 92649

PREPARED BY: EDUARDO RUBIO
DATE: 2/14/2022

ENGINEER: DIEGO GODOY
DATE: 4/15/2021

DIMENSIONING AND TOLERANCING PER ASME Y14.5M
APPLY AFTER PROCESSING.

THIRD ANGLE PROJECTION

TITLE: BRONCO TANK BATTERY BOX SHEET METAL ENCLOSURE

SIZE: B DWG NO: EGT-389-P REV: 2

SCALE: 1:6 DO NOT SCALE DRAWING SHEET 1 OF 1