

4

3

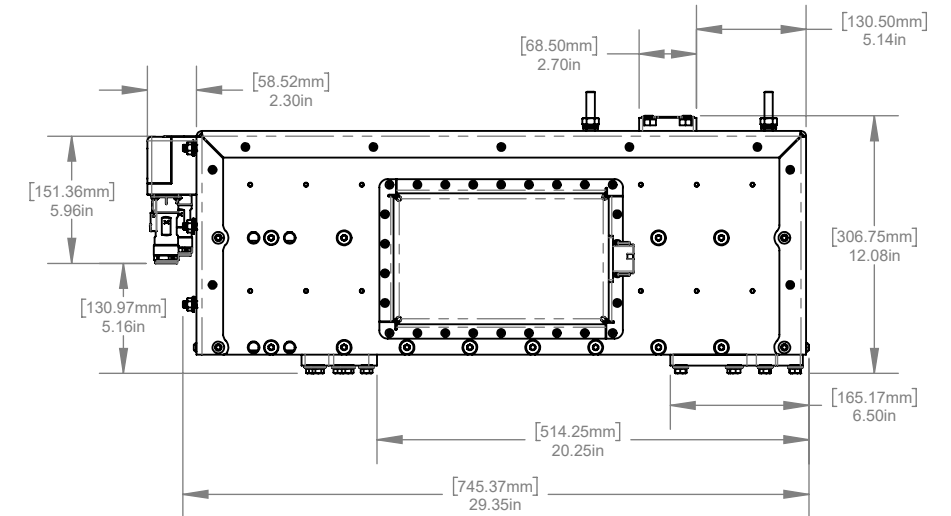
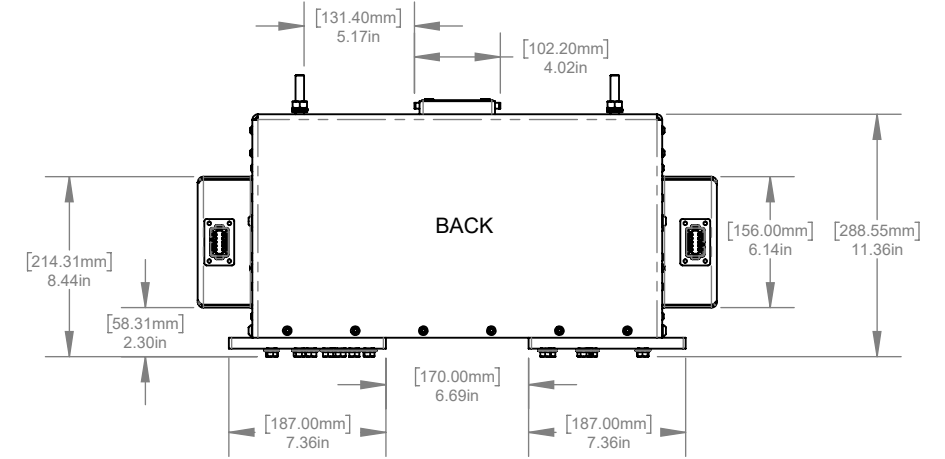
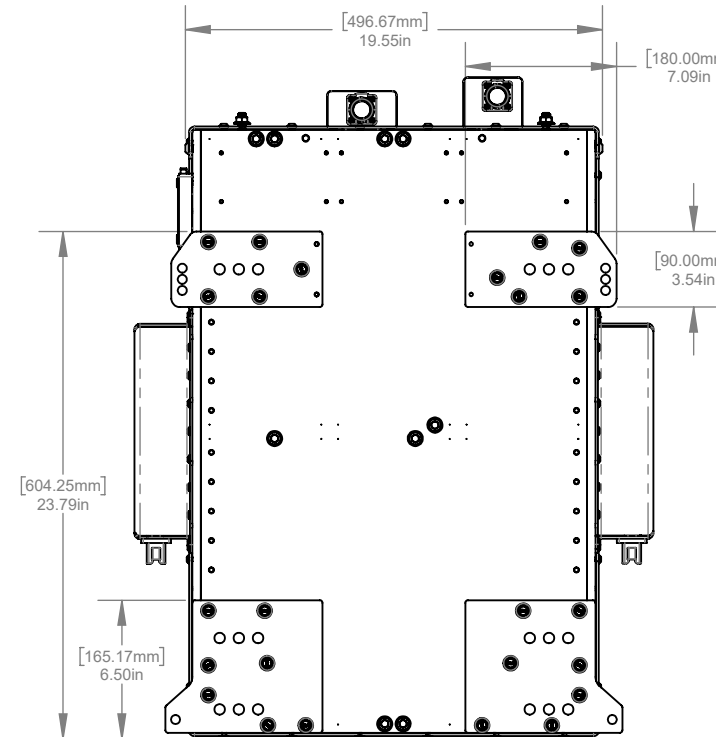
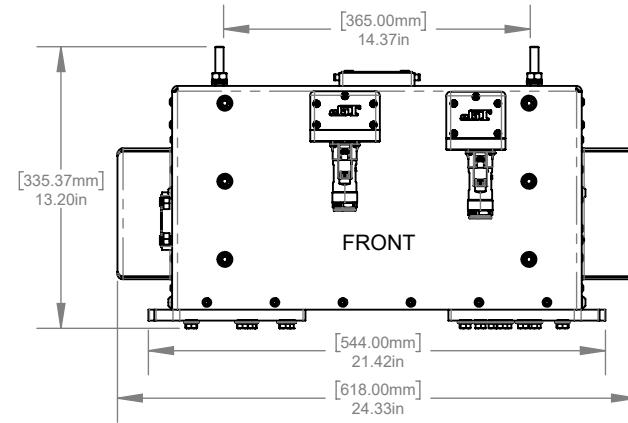
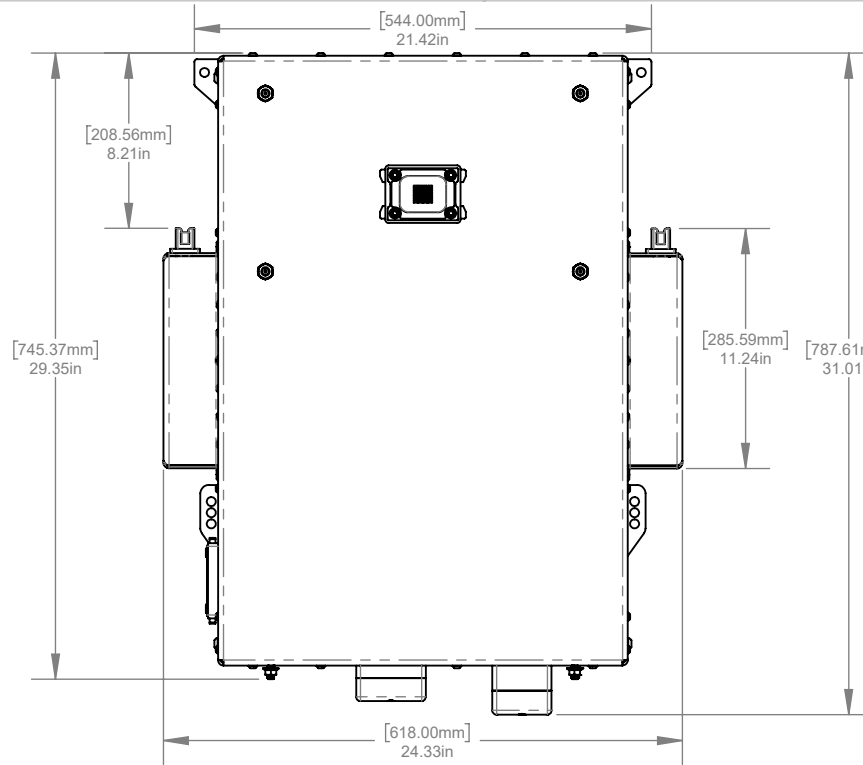
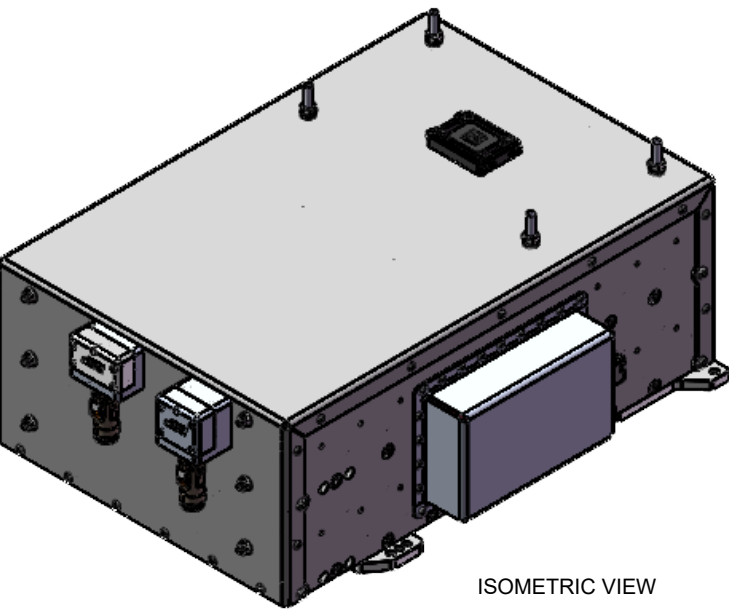
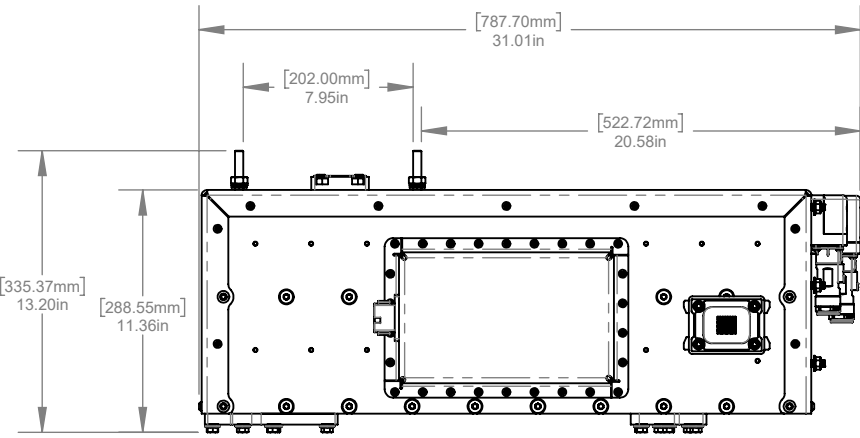
2

1

NOTES:

1. DRAWING DEPICTING THE SYSTEM'S GENERAL DIMENSIONS.

REVISION HISTORY			
REV	DESCRIPTION	DATE	APPROVED
1	PRODUCTION RELEASE		B. WINBERG



UNLESS OTHERWISE SPECIFIED DIMENSIONS ARE IN INCHES.
TOLERANCES ARE:

DECIMALS	ANGLES	SURFACE FINISH
.X ± .1	±.5°	√ 125
.XX ± .03		
.XXX ± .010		

PROPRIETARY AND CONFIDENTIAL

THE INFORMATION CONTAINED IN THIS DRAWING IS THE SOLE PROPERTY OF ELECTRIC GT. ANY REPRODUCTION IN PART OR AS A WHOLE WITHOUT THE WRITTEN PERMISSION OF ELECTRIC GT IS PROHIBITED.

15841 GRAHAM ST HUNTINGTON BEACH, CA 92649	
PREPARED BY EDUARDO RUBIO	DATE 1/13/2022
ENGINEER DIEGO GODOY	DATE 3/23/2021

DIMENSIONING AND TOLERANCING PER ASME Y14.5M
APPLY AFTER PROCESSING.

THIRD ANGLE PROJECTION



TITLE
12 OX DRIVE ENERGY MODULES BATTERY BOX

SIZE B	DWG NO EGT-575-A	REV 1
-----------	---------------------	----------

SCALE: 1:9 DO NOT SCALE DRAWING SHEET 1 OF 1

ITEM #	QTY	MATERIAL DESCRIPTION	NOTES
1	1		

4

3

2

1