

SPECIFICATION SHEET

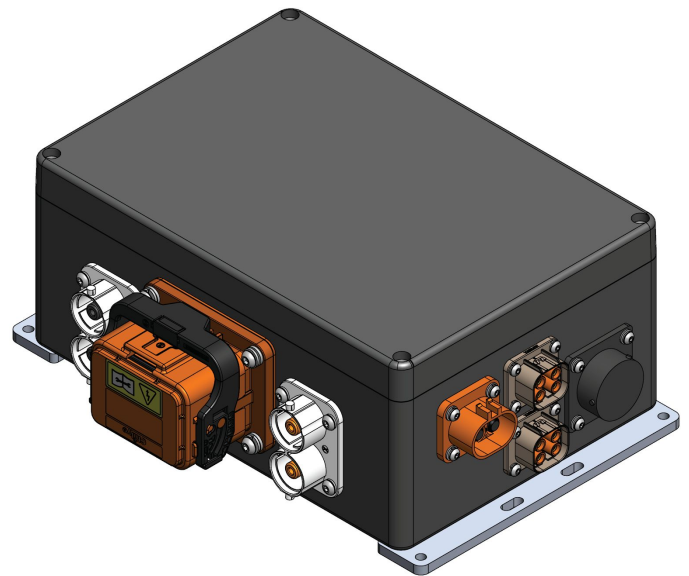
HIGH-VOLTAGE JUNCTION BOXES

Model Number: EGT-HVJB300

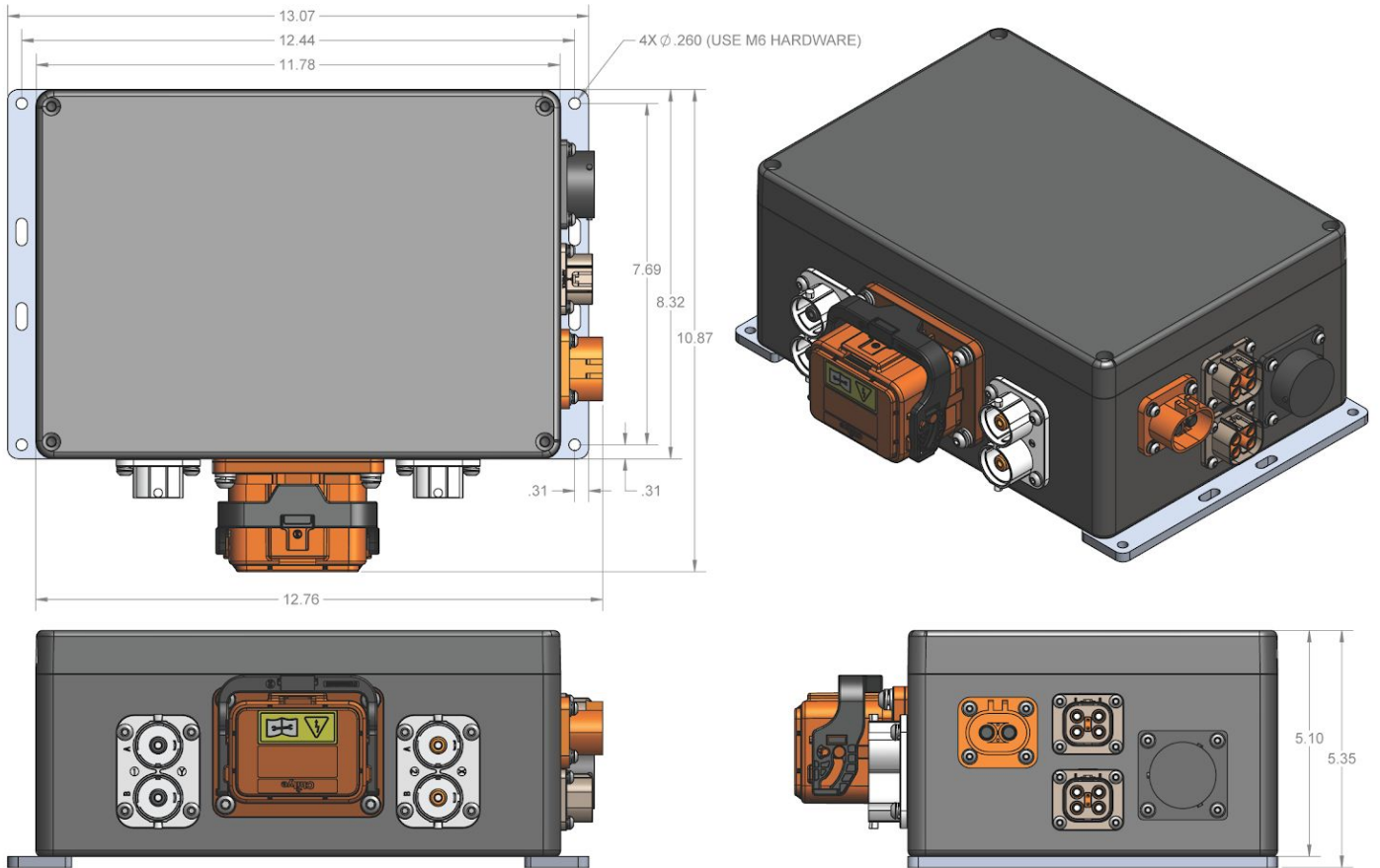
eGT's High-Voltage Junction Box (HVJB) is a convenient solution that simplifies Electric Vehicle (EV) conversions and EV equipment installations by combining the most complicated and time consuming aspects of the EV conversion into a Plug & Play solution. Included are the HV battery to motor/controller feed, main and auxiliary fuses, Battery Management System (BMS), HV contactors, charging control and relays. All OEM high quality touch proof connectors and manual service disconnect. This is our industry leading HVJB designed to facilitate EV installations.

Features:

- Power distribution to essential systems like motor, controller, charger, DC-DC converter, air conditioner, heater
- Fused short circuit protection
- Battery Management System helps maintain and prolong the lifespan of your batteries
- Waterproof aluminum enclosure provides protection from elements
- Copper busbar conductor design help with fast heat dissipation and efficient energy transmission
- Includes all necessary plug connectors, as well as a 10' 48-pin signal pigtail wiring
- Wire installation requires a crimper
-



INTERFACE	PARAMETER	UNIT
Signal Voltage	10-16	VDC
Operating Voltage	Up to 400	VDC
Operating Temperature	-40 to +65	°C
Battery Interface	300/750MAX	A
Manual Service Disconnect	450	A
Charger Interface	65	A
DC-DC Converter	10	A
AC/Heater Interface	30	A
Aux Interface	10/20/30	A
Key Switch Interface	1	A
Weight	23	LBS



Website Specification Sheet (Coming soon)



Video Manual (Coming soon)